

An IP67 in-ground luminaire features one high quality BRIDGELUX LED providing energy-efficient and low-maintenance lighting solutions. Double tempered glass layer for enhanced water-proofing and stainless steel exterior framing for quality and rust-free protection.

Outdoor floor-recessed illumination for pathway, garden and park.

GLOS GROUND LIT IN-GROUND LUMINAIRE

Mounting:	In-ground
Lamp:	BRIDGELUX LED 5W*1/260lm
CRI:	80 (90 optional)
IP:	IP 67; Outdoor
Material:	Die-cast aluminum; powder-coated
Color:	☒ FR
LED CCT:	☐ CW ☑ NW ☑ WW

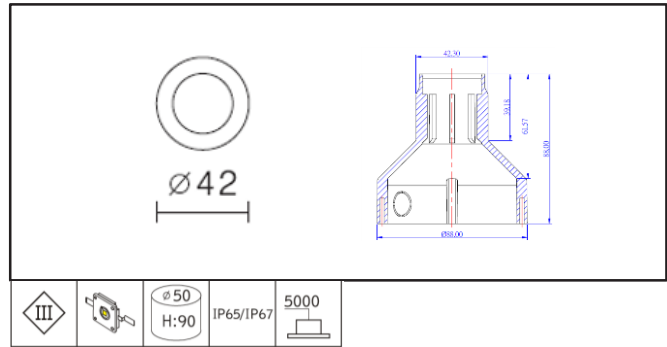
OPTICAL

Optics:	Reflector
Beam angle:	-
Distribution:	Symmetrical

ELECTRICAL

Gear:	Integral LED Driver
Voltage(V):	100-240
Rated current:	-
Dimming:	-





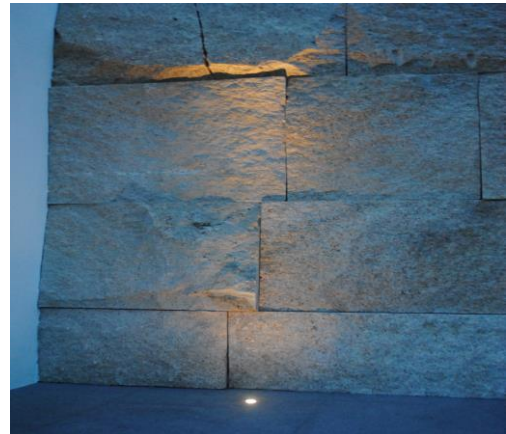
An IP67 in-ground luminaire features one high quality OSRAM OSOLON LED providing energy-efficient and low-maintenance lighting solutions. Outdoor floor-recessed illumination for foyers, pathway, garden and park.

GLOS GROUND MINI IN-GROUND LUMINAIRE

- Mounting: In-ground
- Lamp: OSRAM OSOLON LED 1.2W (350mA)/3W (700mA)
- CRI: 80 (90 optional)
- IP: IP 67; Outdoor
- Material: Aluminum; powder-coated
- Color: FR
- LED CCT: CW WW WW RR BL GR AM

OPTICAL

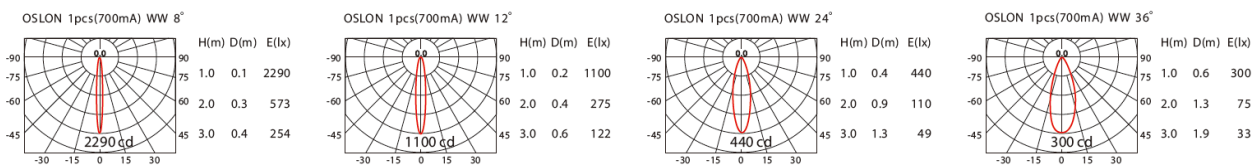
- Optics: High efficiency optics lenses
- Beam angle: 8/12/24/36
- Distribution: Symmetrical

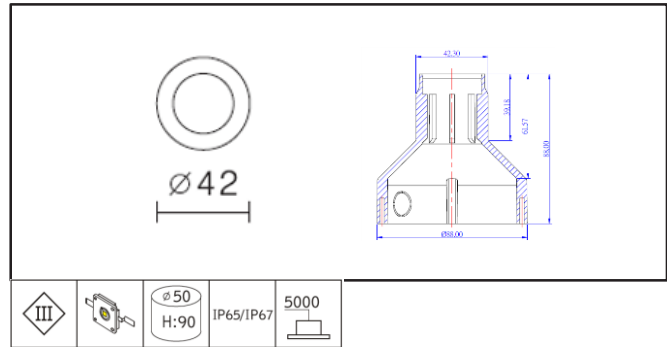


ELECTRICAL

- Gear: Integral LED Driver
- Voltage(V): 100-240
- Rated current: 350mA/700mA
- Dimming: -

PHOTOMETRIC





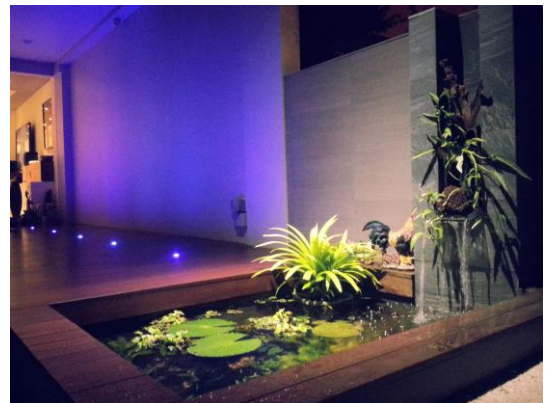
An IP67 in-ground luminaire features one high quality OSRAM OSLOM LED providing energy-efficient and low-maintenance lighting solutions. Outdoor floor-recessed illumination for foyers, pathway, garden and park.

GLOS GROUND MINI-FR IN-GROUND LUMINAIRE

- Mounting: In-ground
- Lamp: OSRAM OSLOM LED 1.2W (350mA)/3W (700mA)
- CRI: 80 (90 optional)
- IP: IP 67; Outdoor
- Material: Aluminum; powder-coated
- Color:
- LED CCT:

OPTICAL

- Optics: High efficiency optics lenses
- Beam angle: 8/12/24/36
- Distribution: Symmetrical



ELECTRICAL

- Gear: Integral LED Driver
- Voltage(V): 100-240
- Rated current: 350mA/700mA
- Dimming: -

PHOTOMETRIC

