

An adjustable track projector with integrated high quality LED Driver and CoB LED chip providing efficient energy-saving and low maintenance cost. 355° rotation and 180° tilt angle to maximize lighting range. Different angles reflector available with anti-dazzle front cover creates visual comfort.

Accent lighting for museums, exhibitions, commercial and retail applications.

### GLOS CYTO-SQ TRACK LUMINAIRE

- Mounting: Track Mounted (1-phase or 3-phase)
- Lamp: SHARP ZENIGATA CoB LED 7.5W (500mA)/700lm
- CRI: 80 (90 optional)
- IP: IP 20; Indoor
- Material: Die-cast aluminum; powder-coated
- Color:  WH  BK  SV
- LED CCT:  CW  NW  WW

### OPTICAL

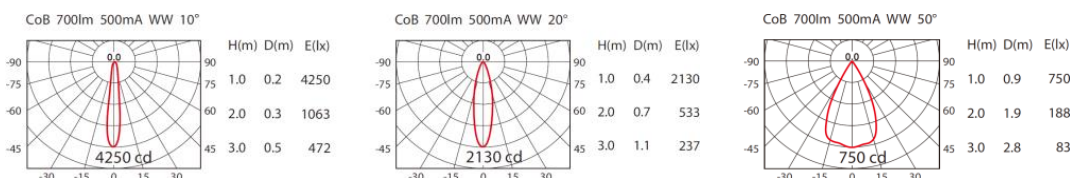
- Optics: Reflector
- Beam angle: 10/20/50
- Distribution: Symmetrical

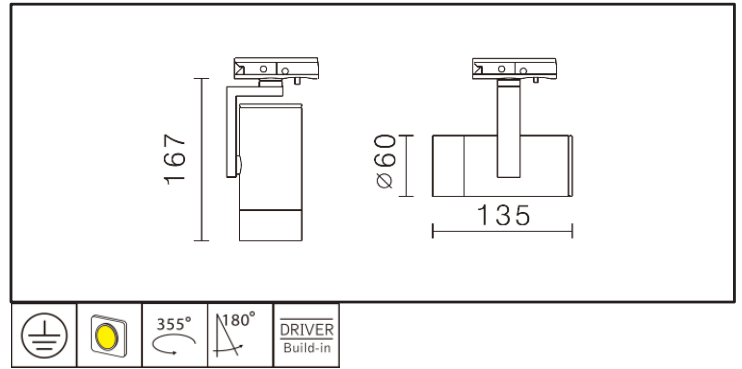


### ELECTRICAL

- Gear: Integral LED Driver
- Voltage(V): 100-240
- Rated current: 500mA
- Dimming: -

### PHOTOMETRIC





An adjustable track projector with integrated high quality LED Driver and CoB LED chip providing efficient energy-saving and low maintenance cost. 355° rotation and 180° tilt angle to maximize lighting range. Different angles reflector available with anti-dazzle front cover creates visual comfort.

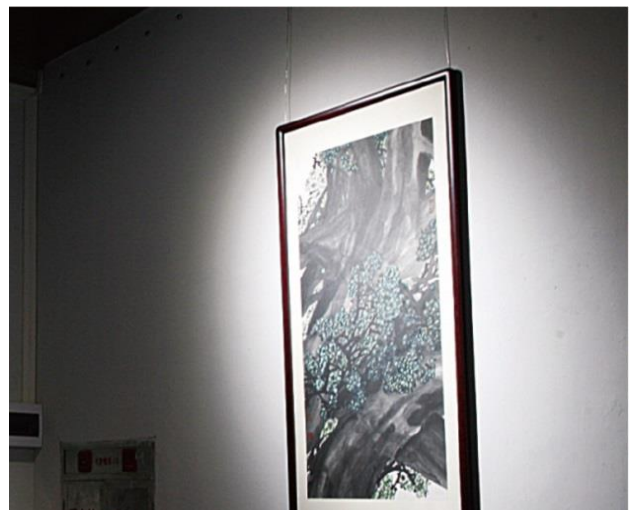
Accent lighting for museums, exhibitions, commercial and retail applications.

### GLOS CYTO-I TRACK LUMINAIRE

- Mounting: Track Mounted (1-phase or 3-phase)
- Lamp: SHARP ZENIGATA CoB LED 13W (350mA)/1100lm
- CRI: 80 (90 optional)
- IP: IP 20; Indoor
- Material: Die-cast aluminum; powder-coated
- Color:  WH  BK  SV
- LED CCT:  CW  NW  WW

### OPTICAL

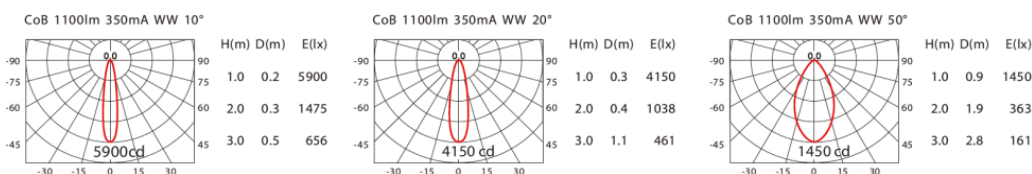
- Optics: Reflector
- Beam angle: 12/20/50
- Distribution: Symmetrical

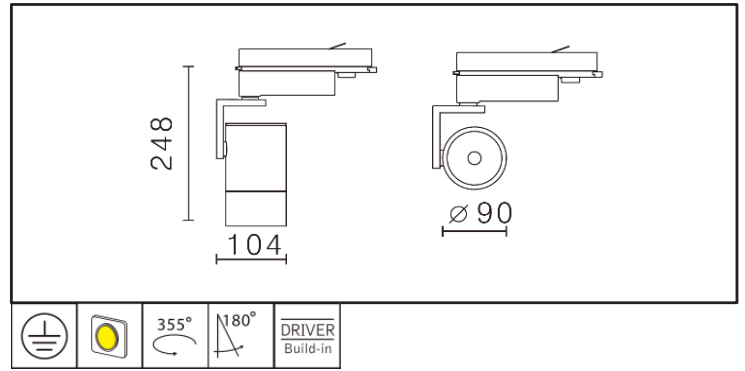


### ELECTRICAL

- Gear: Integral LED Driver
- Voltage(V): 220-240
- Rated current: 350mA
- Dimming: -

### PHOTOMETRIC





An adjustable track projector with integrated high quality LED Driver and CoB LED chip providing efficient energy-saving and low maintenance cost. 355° rotation and 180° tilt angle to maximize lighting range. Different angles reflector available with anti-dazzle front cover creates visual comfort.

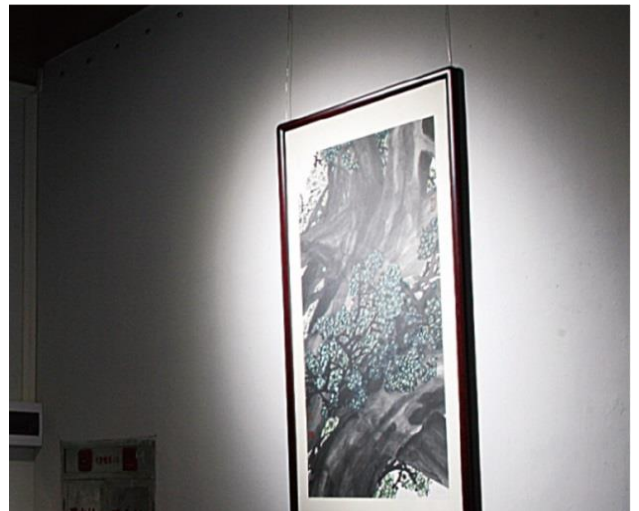
Accent lighting for museums, exhibitions, commercial and retail applications.

### GLOS CYTO-2 TRACK LUMINAIRE

- Mounting: Track Mounted (1-phase or 3-phase)
- Lamp: SHARP ZENIGATA CoB LED 25W (700mA)/2800lm
- CRI: 80 (90 optional)
- IP: IP 20; Indoor
- Material: Die-cast aluminum; powder-coated
- Color:  WH  BK  SV
- LED CCT:  CW  NW  WW

### OPTICAL

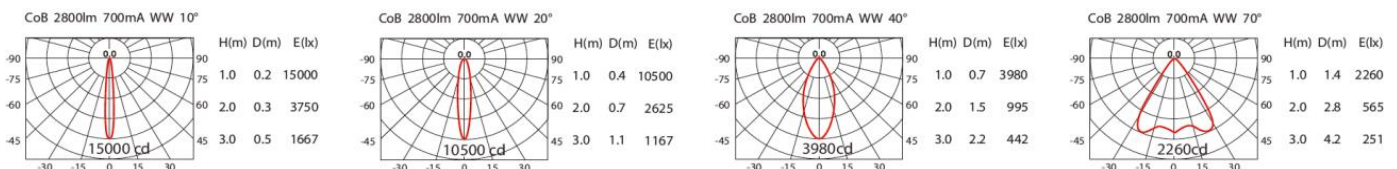
- Optics: Reflector
- Beam angle: 10/20/40/70
- Distribution: Symmetrical

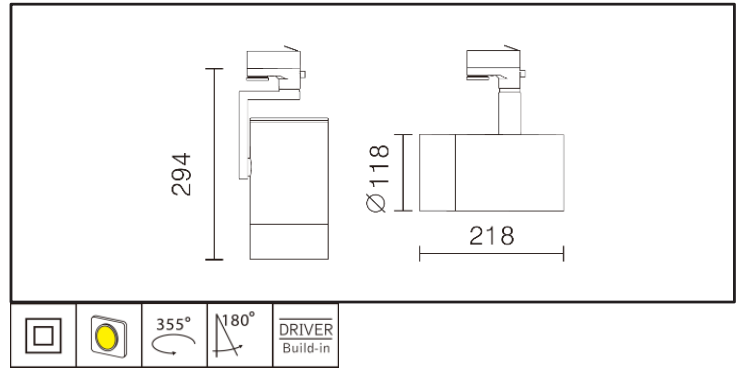


### ELECTRICAL

- Gear: Integral LED Driver
- Voltage(V): 220-240
- Rated current: 700mA
- Dimming: Yes (optional)

### PHOTOMETRIC





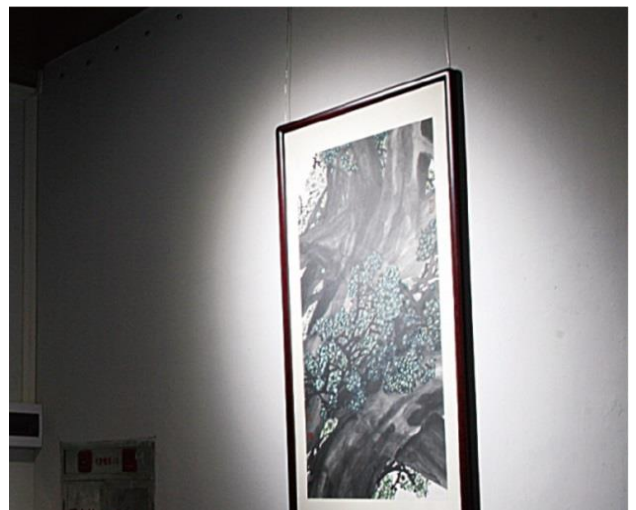
An adjustable track projector with integrated high quality LED Driver and CoB LED chip providing efficient energy-saving and low maintenance cost. 355° rotation and 180° tilt angle to maximize lighting range. Different angles reflector available with anti-dazzle front cover creates visual comfort. Accent lighting for museums, exhibitions, commercial and retail applications.

**GLOS CYTO-3 TRACK LUMINAIRE**

- Mounting: Track Mounted (1-phase or 3-phase)
- Lamp: SHARP ZENIGATA CoB LED 32W (900mA)/3600lm
- CRI: 80 (90 optional)
- IP: IP 20; Indoor
- Material: Die-cast aluminum; powder-coated
- Color:  WH  BK  SV
- LED CCT:  CW  NW  WW

**OPTICAL**

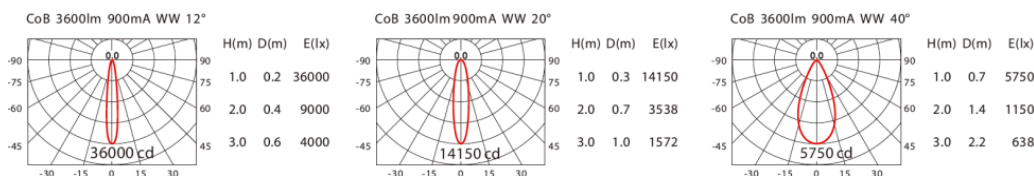
- Optics: Reflector
- Beam angle: 12/20/40
- Distribution: Symmetrical

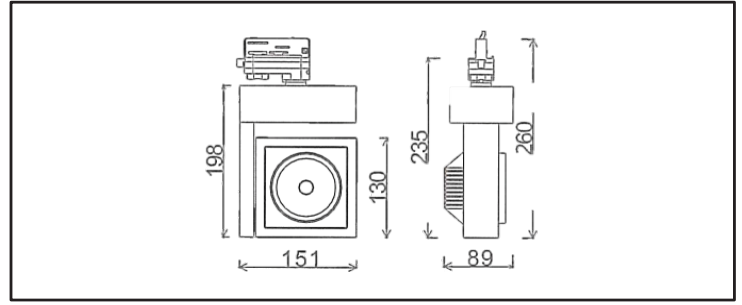
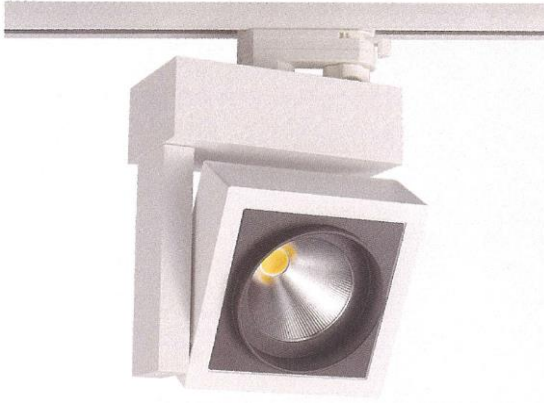


**ELECTRICAL**

- Gear: Integral LED Driver
- Voltage(V): 220-240
- Rated current: 900mA
- Dimming: Yes (optional)

**PHOTOMETRIC**





A high lumen output adjustable track projector with integrated high quality LED Driver and CoB LED chip providing efficient energy-saving and low maintenance cost. 350° rotation and 90° tilt angle to maximize lighting range.

Accent lighting for museums, exhibitions, commercial and retail applications.

**GLOS BOX-36W TRACK LUMINAIRE**

- Mounting: Track Mounted (1-phase or 3-phase)
- Lamp: BRIDGELUX VERO18 35.5W (1200mA)/3500lm
- CRI: 80 (90 optional)
- IP: IP 20; Indoor
- Material: Die-cast aluminum; powder-coated
- Color:  WH  BK
- LED CCT:  CW  NW  WW

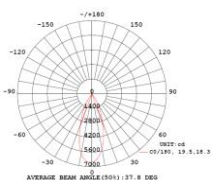
**OPTICAL**

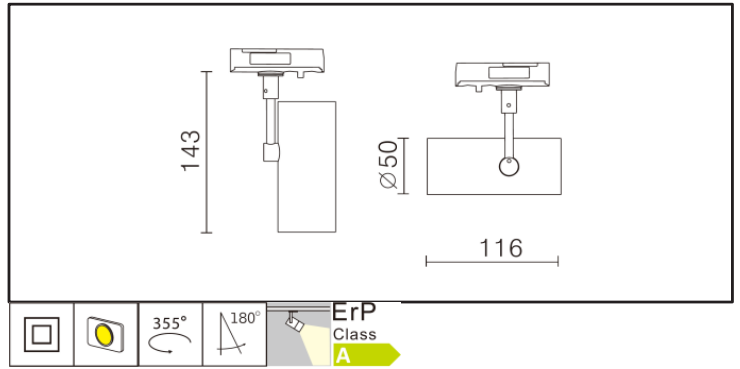
- Optics: Reflector
- Beam angle: 36
- Distribution: Symmetrical

**ELECTRICAL**

- Gear: Integral LED Driver
- Voltage(V): 100-240
- Rated current: 1200mA
- Dimming: -

**PHOTOMETRIC**





Mini and elegant design adjustable track luminaire with integrated high quality LED Driver and CoB LED chip providing efficient energy-saving and low maintenance cost. 355° rotation and 180° tilt angle to maximize lighting range. Different angles reflector available with anti-dazzle front cover creates visual comfort.

Precise light distribution for museums, exhibitions, commercial, retail applications and residential.

### GLOS UNI-I TRACK LUMINAIRE

- Mounting: Track Mounted (1-phase or 3-phase)
- Lamp: SHARP ZENIGATA CoB LED 7.5W (500mA)/800lm
- CRI: 80 (90 optional)
- IP: IP 20; Indoor
- Material: Aluminum; paint
- Color:  WK  BJ
- LED CCT:  CW  NW  WW

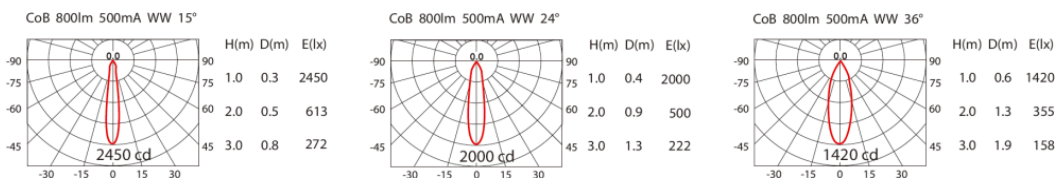
### OPTICAL

- Optics: Reflector
- Beam angle: 15/24/36
- Distribution: Symmetrical

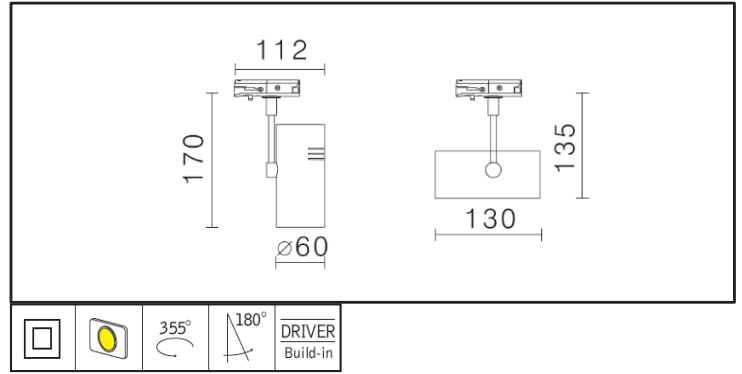
### ELECTRICAL

- Gear: Integral LED Driver
- Voltage(V): 220-240
- Rated current: 500mA
- Dimming: -

### PHOTOMETRIC





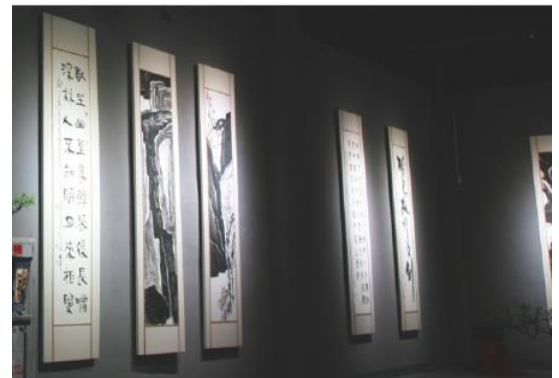


Clean and classy design LED track luminaire features SHARP ZENIGATA CoB LED providing energy-efficient and low-maintenance lighting solutions. 180° tilt angle to maximize lighting range. Replacement of conventional MR-16 track luminaires, etc.

Accent lighting for retail spaces, cafes bars and residences.

### GLOS UNI-2 TRACK LUMINAIRE

- Mounting: Track Mounted (1-phase or 3-phase)
- Lamp: SHARP ZENIGATA CoB LED 7.5W (500mA)/700lm
- CRI: 80 (90 optional)
- IP: IP 20; Indoor
- Material: Die-cast aluminum, paint.
- Color:  WH  BK  SV
- LED CCT:  CW  NW  WW



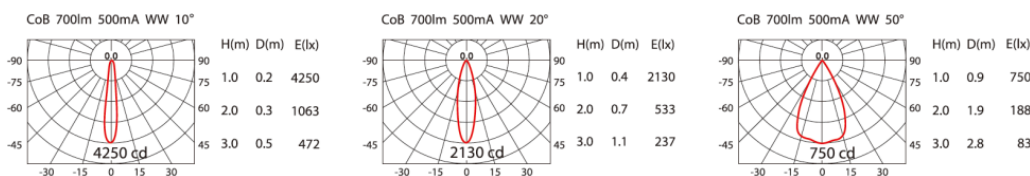
### OPTICAL

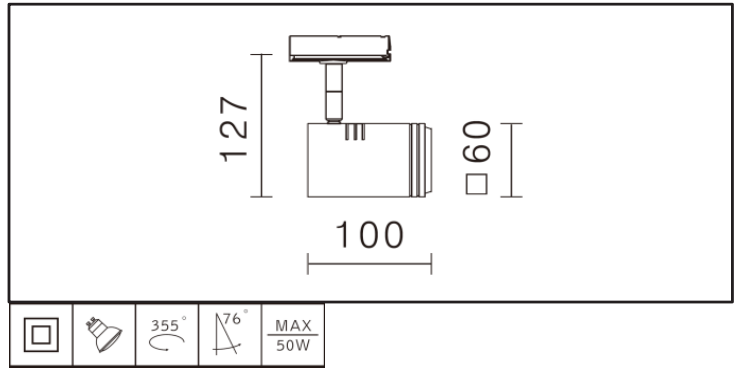
- Optics: Reflector
- Beam angle: 10/20/50
- Distribution: Symmetrical

### ELECTRICAL

- Gear: Integral LED driver
- Voltage(V): 100-240
- Rated current: 500mA
- Dimming: -

### PHOTOMETRIC





Clean and classy design track luminaire features a wide range of lamp sources; Halogens and LEDs. 355° rotation and 90° tilt angle to maximize lighting range.

Indoor applications such as restaurants, cafes, wine bars and shops.

### GLOS UNI-3 TRACK LUMINAIRE

Mounting:	Track Mounted (1-phase or 3-phase)
Lamp:	GU-10 (QPAR16) 50W
IP:	IP 20; Indoor
Material:	Die-cast aluminum; paint
Color:	<input type="checkbox"/> WH <input checked="" type="checkbox"/> BK <input type="checkbox"/> SV

### OPTICAL

Optics:	-
Beam angle:	-
Distribution:	Symmetrical

### ELECTRICAL

Gear:	-
Voltage(V):	220-240
Rated current:	-

