

Outdoor garden bollard LED luminaire high quality BRIDGELUX LED providing energy-efficient and low-maintenance lighting solutions. Smooth lighting distribution for outdoor landscape applications such as pathway, garden, and park.

GLOS TAPER BOLLARD

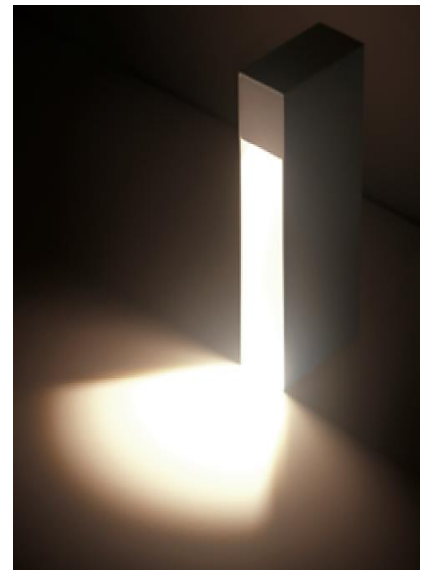
Mounting:	Ground Mounted
Lamp:	BRIDGELUX LED 7W*1 (350mA)
CRI:	80 (90 optional)
IP:	IP 54; Outdoor
Material:	Die-cast aluminum; powder-coated
Color:	■ BF □ SV
LED CCT:	□ CW ■ NW ■ WW

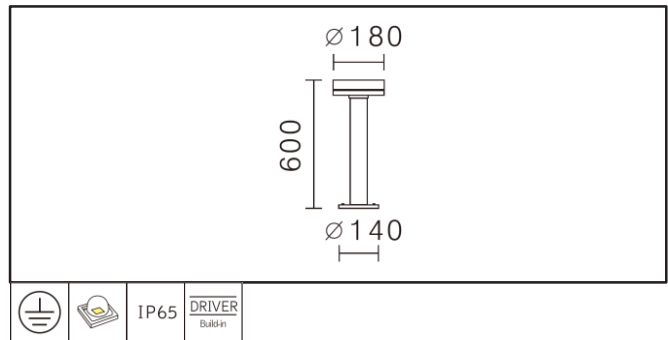
OPTICAL

Optics:	High efficiency optics lenses
Beam angle:	-
Distribution:	Symmetrical

ELECTRICAL

Gear:	Integral LED Driver
Voltage(V):	100-240
Rated current:	350mA
Dimming:	-





An IP65 outdoor bollard with six high quality OSRAM OSLOM LED providing energy-efficient and low-maintenance lighting solutions. Anti-dazzle design ensures visual comfort and patent thermal application guarantees a long lifespan.

Single-sided light output suitable for pathways, driveways or squares.

GLOS EDGE-360 BOLLARD

- Mounting: Ground Mounted
- Lamp: OSRAM OSLOM LED 1.2W*6 (350mA)
- CRI: 80 (90 optional)
- IP: IP 65; Outdoor
- Material: Die-cast aluminum; powder-coated
- Color: BF
- LED CCT: CW NW WW

OPTICAL

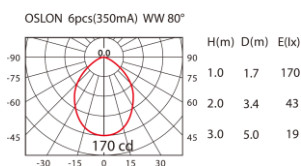
- Optics: High efficiency optics lenses
- Beam angle: 80
- Distribution: Symmetrical

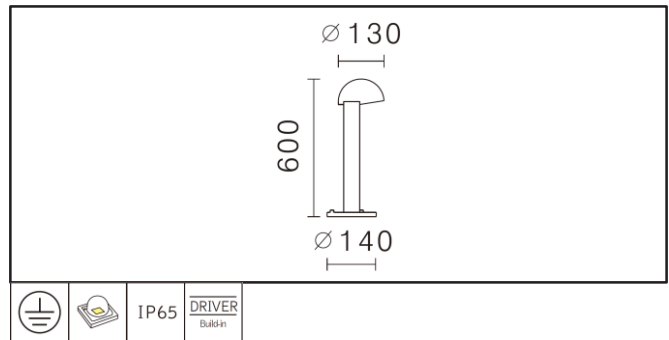


ELECTRICAL

- Gear: Integral LED Driver
- Voltage(V): 100-240
- Rated current: 350mA
- Dimming: -

PHOTOMETRIC





An IP65 outdoor bollard with three high quality OSRAM SQUARE LED providing energy-efficient and low-maintenance lighting solutions. Anti-dazzle design ensures visual comfort and patent thermal application guarantees a long lifespan.

Single-sided light output suitable for pathways, driveways or squares.

GLOS EDGE-180 BOLLARD

- Mounting: Ground Mounted
- Lamp: OSRAM SQUARE LED 1.2W*3 (350mA)
- CRI: 80 (90 optional)
- IP: IP 65; Outdoor
- Material: Die-cast aluminum; powder-coated
- Color: ■ BF
- LED CCT: □ CW ■ NW ■ WW

OPTICAL

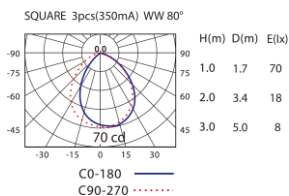
- Optics: High efficiency optics lenses
- Beam angle: 80
- Distribution: Symmetrical

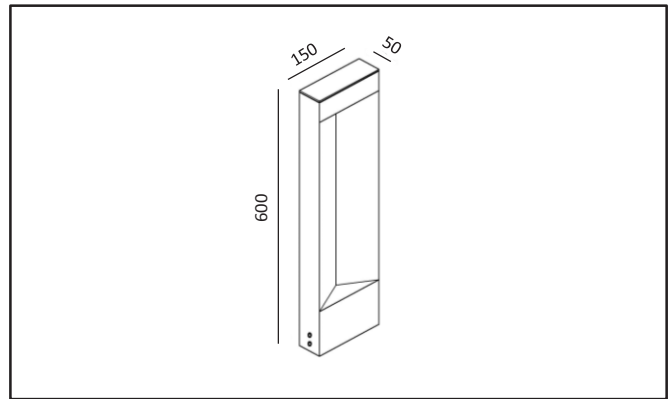


ELECTRICAL

- Gear: Integral LED Driver
- Voltage(V): 100-240
- Rated current: 350mA
- Dimming: -

PHOTOMETRIC





Outdoor garden bollard LED luminaire high quality SHARP LED providing energy-efficient and low-maintenance lighting solutions. Smooth lighting distribution for outdoor landscape applications such as pathway, garden and park.

GLOS BROADWAY BOLLARD

- Mounting: Ground Mounted
- Lamp: SHARP CoB 9W (250mA)
- CRI: 80 (90 optional)
- IP: IP 54; Outdoor
- Material: Die-cast aluminum; powder-coated
- Color: ■ BF ■ SV
- LED CCT: □ CW ■ NW ■ WW

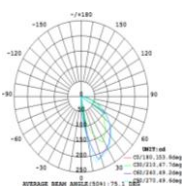
OPTICAL

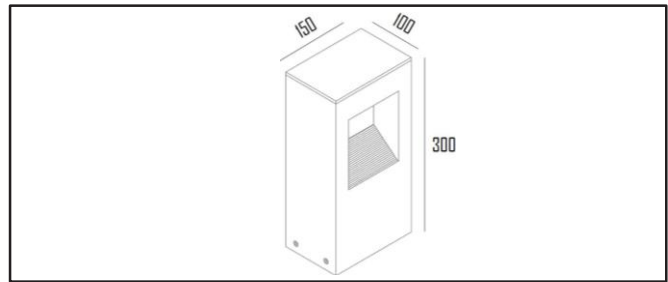
- Optics: -
- Beam angle: -
- Distribution: Symmetrical

ELECTRICAL

- Gear: Integral LED Driver
- Voltage(V): 100-240
- Rated current: -
- Dimming: -

PHOTOMETRIC





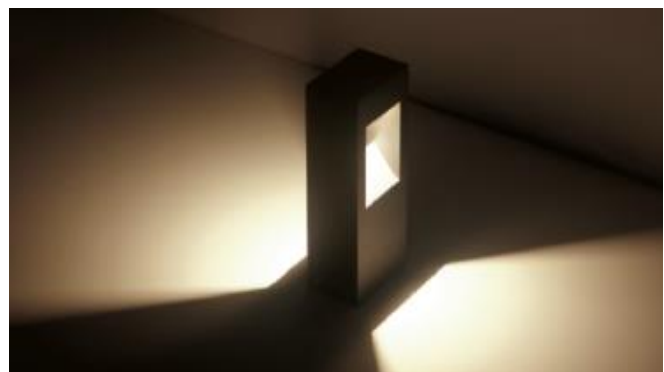
Outdoor garden bollard LED luminaire high quality CITIZEN LEDs providing energy-efficient and low-maintenance lighting solutions. Smooth lighting distribution for outdoor landscape applications such as pathway, garden, and park.

GLOS BLOCK BOLLARD

- Mounting: Ground Mounted
- Lamp: CITIZEN LED 6W*1 (350mA)
- CRI: 80 (90 optional)
- IP: IP 54; Outdoor
- Material: Die-cast aluminum; powder-coated
- Color: BF SV
- LED CCT: CW NW WW

OPTICAL

- Optics: High efficiency optics lenses
- Beam angle: 160
- Distribution: Symmetrical



ELECTRICAL

- Gear: Integral LED Driver
- Voltage(V): 100-240
- Rated current: 350mA
- Dimming: -

PHOTOMETRIC

