

DS-2CD2120-(I)



Key Features

- Up to 2 megapixel (1920 × 1080) resolution
- Standard video compression with high compression ratio
- Progressive scan CMOS, capture motion video without incised margin
- Support dual stream, and the sub-stream for mobile surveillance
- High-performance and long service life Infrared LED, up to 30 meters IR range
- IR cut filter with auto switch
- PoE (Power over Ethernet)
- 3D DNR
- Ingress Protection level: IP66
- Electronic shutter for different surveillance environments
- Impact Protection: IEC60068-2-75 test, Eh, 20J; EN50102, up to IK10
- Other functions: alarm, mirror, etc.

Specification

Model	DS-2CD2120-(I)
Parameter	2 Megapixel CMOS Vandal-proof Network Dome Camera
Camera	
Image Sensor	1/2.8" Progressive Scan CMOS
Min. Illumination	0.05Lux @ (F2.0, AGC ON) ,0 Lux with IR
Shutter Speed	1/25(1/30) s to 1/100,000 s
Lens	4mm@ F2.0, Angle of view: 79°

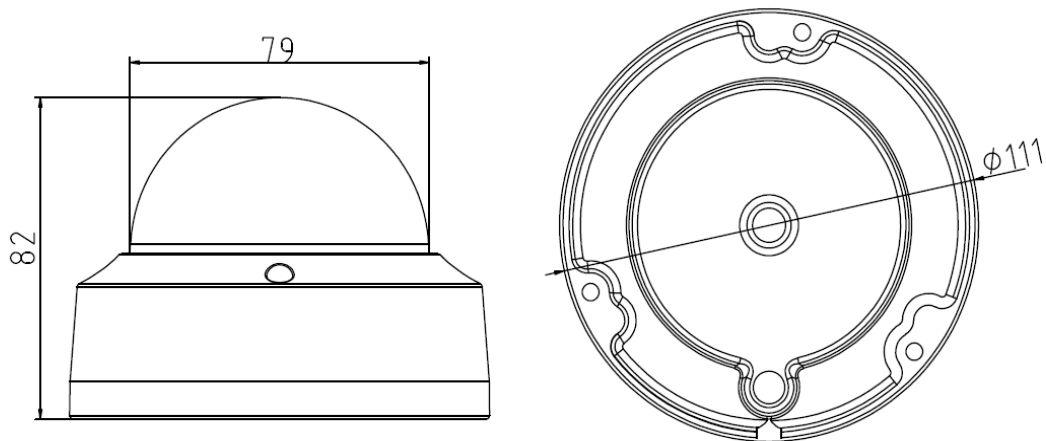
	(2.8mm, 6mm, 8mm, 12mm optional)
Lens Mount	M12
Day & Night	IR cut filter with auto switch
Digital Noise Reduction	3D DNR
Wide Dynamic Range	Digital WDR
Angle Adjustment	Pan: 0° - 355°, Tilt: 0° - 65°
Compression Standard	
Video Compression	H.264/ MJPEG
H.264 Type	Main Profile
Video Bit Rate	32 Kbps – 8 Mbps
Dual Stream	Yes
Image	
Max. Resolution	1920 x 1080
Frame Rate	50Hz: 25fps(1920 × 1080), 25fps (1280 × 960), 25fps (1280 × 720) 60Hz: 30fps(1920 × 1080), 30fps (1280 × 960), 30fps (1280 × 720)
Image Settings	Rotate mode, Saturation, Brightness, Contrast adjustable by client software or web browser
Backlight compensation	Yes, zone optional
ROI	Yes, up to 4 configurable areas
Network	
Network Storage	NAS
Alarm Trigger	Motion detection, Dynamic analysis, Tampering alarm
Protocols	TCP/IP, ICMP, HTTP, HTTPS, FTP, DHCP, DNS, DDNS, RTP, RTSP, RTCP, PPPoE, NTP, UPnP, SMTP, SNMP, IGMP, 802.1X, QoS, IPv6, Bonjour
Security	User Authentication, Watermark
Standard	ONVIF, PSIA, CGI, ISAPI
Interface	
Communication Interface	1 RJ45 10M/100M Ethernet interface
General	
Operating Conditions	-30 °C – 60 °C (-22 °F – 140 °F) Humidity 95% or less (non-condensing)
Power Supply	12 V DC ± 10% , PoE (802.3af)
Power Consumption	Max. 5 W (Max. 7 W with IR cut filter on)
Ingress Protection level	IP66
IR Range	30 meters

Impact Protection	IEC60068-2-75Eh, 20J; EN50102, up to IK10
Dimensions	$\Phi 111 \times 82$ (4.4" \times 3.2")
Weight	500g (1.1 lbs)

Order Models

DS-2CD2120, DS-2CD2120-I

Dimensions



Accessories



Inclined ceiling mount
DS-1259ZJ



Wall mount
DS-1272ZJ-110