



# AVM457A

## 2 Megapixel

## IR Network Camera



### FEATURES

- Easy **network setup** with your **iPhone / iPad**
- **POE (Power-over-Ethernet)** support to eliminate the use of power cables and reduce installation costs
- **ONVIF** standard supported to simplify system integration
- **External alarm I/O device** connection
- IR LED built-in for **night surveillance** with effective range up to 20 meters
- **Remote Surveillance**
  - **Fully compatible** with **iOS** and **Android** devices, and **Internet Explorer** on Windows operating system
  - **Push Video** available on your iOS and Android devices when used with Push Video NVR series.

### SPECIFICATIONS

| ■ Network  |  |
|--|--|
| Network Compression                                      | H.264 / MPEG4 / MJPEG  |
| Multiple Video Streaming (Encode Modes, IPS, Resolution) | YES  |
| LAN Port   | YES  |
| LAN Speed  | 10/100 Based-T Ethernet  |
| Supported Protocols                                      | DDNS, PPPoE, DHCP, NTP, SNTP, TCP/IP, ICMP, SMTP, FTP, HTTP, RTP, RTSP, RTCP, IPv4, Bonjour, UPnP, DNS, UDP, IGMP, QoS   |
| ONVIF Compatible   | YES (Profile S)  |
| Frame Rate   | 30fps  |
| Number of Online Users                                   | 10   |
| Security   | (1) Multiple user access levels with password<br>(2) IP address filtering<br>(3) Digest authentication   |
| Remote Access  | (1) Internet Explorer on Windows operating system<br>(2) 16CH Video Viewer on Windows & MAC operating system<br>(3) EagleEyes on iPhone, iPad & Android mobile devices |
| ■ Camera   |  |
| Image Sensor   | 1/2.9" SONY CMOS image sensor  |
| Video Resolution   | 1080P to QVGA  |
| Min Illumination   | 0.1 Lux / F1.5, 0 Lux (LED ON)   |
| Shutter Speed  | 1/2 to 1/10,000 sec  |
| S/N Ratio  | More than 48dB (AGC off)   |



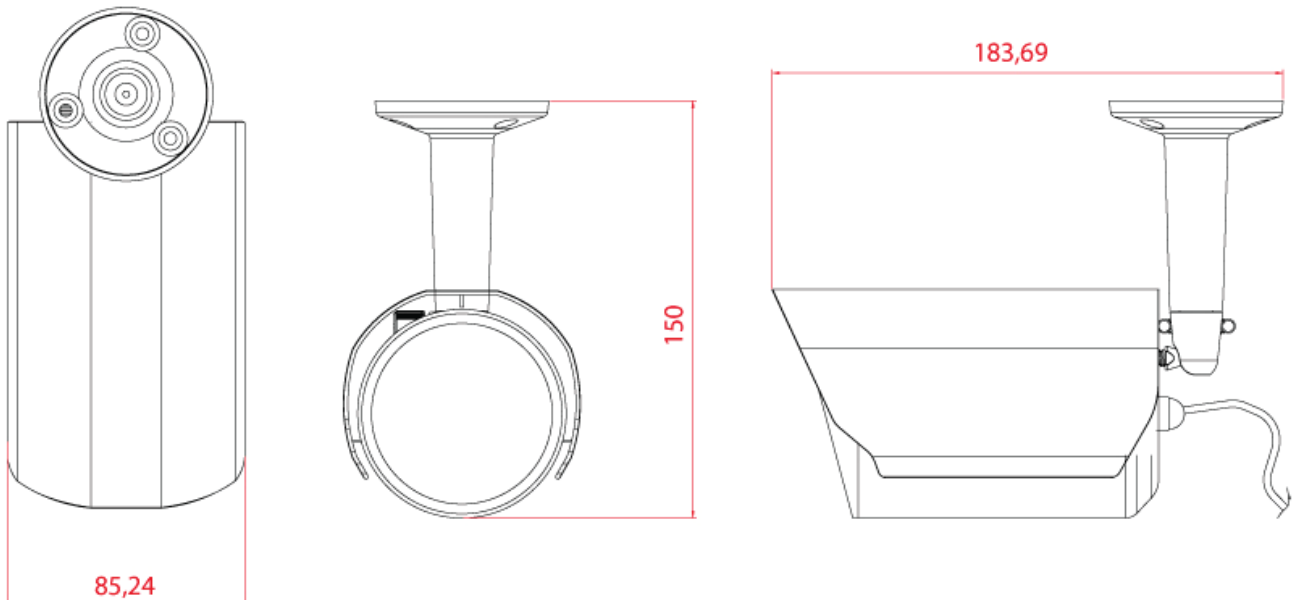
### SPECIFICATIONS (Continued)

| ■ Camera                          |   |
|-----------------------------------|---|
| Lens                              | f3.8mm / F1.5   |
| Viewing Angle                     | 73.2°(Horizontal) / 47.4°(Vertical) / 85.4°(Diagonal)   |
| IR LED                            | 35 Units  |
| IR Effective Range                | Up to 20 meters   |
| IR Shift                          | YES   |
| White Balance                     | ATW   |
| AGC                               | Auto  |
| IRIS Mode                         | AES   |
| POE                               | YES (IEEE 802.3af)  |
| External Alarm I/O                | YES   |
| IP Rating                         | IP67  |
| Power Source (±10%)               | 12V / 1A  |
| Operating Temperature             | -20°C~40°C  |
| ■ Others                          |   |
| Mobile Surveillance               | iPad / iPhone / Android mobile device   |
| Motion Detection                  | YES   |
| Event Notification                | FTP / Email / SMS   |
| RTC (real-time clock)             | YES   |
| Digital Pan / Tilt / Zoom         | YES   |
| Minimum Web Browsing Requirements | <ul style="list-style-type: none"> <li>• Pentium 4 CPU 1.3 GHz or higher, or equivalent AMD</li> <li>• 256 MB RAM</li> <li>• AGP graphics card, Direct Draw, 32MB RAM</li> <li>• Windows 7, Vista &amp; XP, DirectX 9.0 or later</li> <li>• Internet Explorer 7.x or later</li> </ul> |

\*The specifications are subject to change without notice

### DIMENSIONS

Dimensional tolerance: ± 5mm





# AVM521A

## 2 MP IR Dome

## IP Camera



### FEATURES

- **3-axis** mechanism for flexible ceiling and wall-mount installation
- MicroSD card support for **video storage**
- **POE (Power-over-Ethernet)** support to eliminate the use of power cables and reduce installation costs
- **External alarm I/O device** connection
- **ONVIF** standard supported to simplify system integration
- **WDR** to increase image recognizability in overexposure and dark areas
- **Remote Surveillance**
  - **Fully compatible** with **iOS** and **Android** devices, and **Internet Explorer** on Windows operating system
  - **Push Video** available on your iOS and Android devices when used with Push Video NVR series.
- **Solid Light** series featuring better overexposure prevention (Advanced Smart Light Control), automatic adjustment of image brightness, and longer lifetime of LEDs
- Smart Light Control to dynamically adjust image performance for clear and accurate images

### SPECIFICATIONS

| ■ Network   |  |
|---|--|
| LAN Port  | YES  |
| LAN Speed   | 10/100 Based-T Ethernet  |
| Supported Protocols   | DDNS, PPPoE, DHCP, NTP, SNTP, TCP/IP, ICMP, SMTP, FTP, HTTP, RTP, RTSP, RTCP, IPv4, Bonjour, UPnP, DNS, UDP, IGMP, QoS   |
| ONVIF Compatible  | YES (Profile S)  |
| Number of Online Users                                      | 10   |
| Security  | (1) Multiple user access levels with password<br>(2) IP address filtering<br>(3) Digest authentication   |
| Remote Access   | (1) Internet Explorer on Windows operating system<br>(2) 16CH Video Viewer on Windows & MAC operating system<br>(3) EagleEyes on iPhone, iPad & Android mobile devices |
| Network Compression   | H.264 (Main Profile) / MJPEG   |
| Frame Rate  | 30/25fps   |
| Multiple Video Streaming<br>(Encode Modes, IPS, Resolution) | 4 (H.264, MJPEG)   |



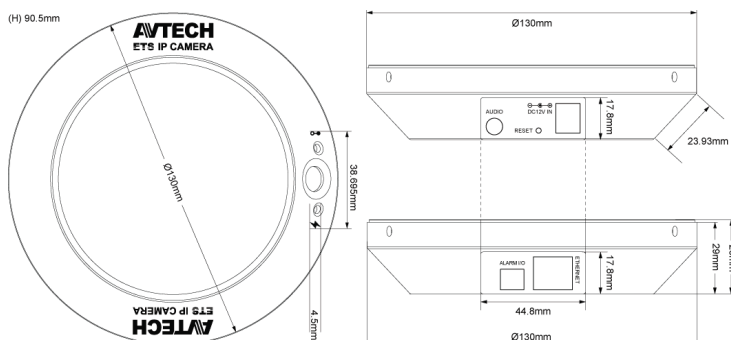
## SPECIFICATIONS (CONTINUED)

| ■ Camera                          |   |
|-----------------------------------|---|
| Image Sensor                      | 1/ 2.9" SONY CMOS image sensor  |
| Video Resolution                  | 1080P to CIF  |
| Min Illumination                  | 0.1 Lux / F1.5, 0 Lux (LED ON)  |
| Shutter Speed                     | 1/10,000 ~ 1/7.5 (Slow shutter)   |
| S/N Ratio                         | More than 48dB (AGC off)  |
| Lens                              | f3.8mm / F1.5   |
| Viewing Angle                     | 83.2° (Diagonal) / 73.2° (Horizontal) / 42.8° (Vertical)  |
| IR LED                            | 1 Unit  |
| IR Effective Distance**           | Default: up to 15 meters  |
| PIR Sensor                        | Detection Range 76° wide angle with up to 5m long distance at 2.5m height (under 30°C)  |
| IR Shift                          | YES   |
| Smart Light Control               | YES   |
| White Balance                     | ATW   |
| WDR                               | YES   |
| ■ General                         |   |
| AGC                               | Auto  |
| IRIS Mode                         | AES   |
| POE                               | YES (IEEE 802.3af)  |
| External Alarm I/O                | YES (1 in / 1 out)  |
| Line in / out                     | YES   |
| MicroSD Card Slot                 | YES   |
| Operating Temperature             | 0°C~40°C  |
| Power Source (±10%)               | 12V / 1A  |
| Current Consumption (±10%)        | 400mA   |
| Power Consumption (±10%)          | 6W (PoE) ; 6W (PoN) ; 4.8W (DC Adapter)   |
| ■ Others                          |   |
| Mobile Surveillance               | iOS & Android mobile devices  |
| Event Notification                | FTP / Email / SMS   |
| 3-Axis                            | YES   |
| Digital Pan / Tilt / Zoom         | YES   |
| Motion Detection                  | YES   |
| RTC (real-time clock)             | YES   |
| Minimum Web Browsing Requirements | <ul style="list-style-type: none"> <li>• Intel core i3 or higher, or equivalent AMD</li> <li>• 2G RAM</li> <li>• AGP graphics card, Direct Draw, 32MB RAM</li> <li>• Windows 7, Vista &amp; XP, DirectX 9.0 or later</li> <li>• Internet Explorer 7.x or later</li> </ul> |

\*The specifications are subject to change without notice.

\*\* Using IR enhanced mode and slow shutter speed, the distance can be extended even longer.

## DIMENSIONS



\*\* Dimensional tolerance:  $\pm 5\text{mm}$



# AVM552A

## 2 MP Vari-focal IP Camera



### FEATURES

- Equipped with a **vari-focal lens of f2.8 ~ 12 mm**, suitable for various monitoring environments
- MicroSD card support for **video storage**
- **External alarm I/O device** connection
- **POE (Power-over-Ethernet)** support to eliminate the use of power cables and reduce installation costs
- **ONVIF** standard supported to simplify system integration
- IR LED built-in for **night surveillance** with max effective range up to 25 meters
- **WDR** to increase image recognizability in overexposure and dark areas
- **Solid Light** series featuring better overexposure prevention (Advanced Smart Light Control), automatic adjustment of image brightness, and longer lifetime of LEDs
- Smart Light Control to dynamically adjust image performance for clear and accurate images
- **Remote Surveillance**
  - **Fully compatible** with **iOS** and **Android** devices, and **Internet Explorer** on Windows operating system
  - **Push Video** available on your iOS and Android devices when used with Push Video NVR series.

### SPECIFICATIONS

| ■ Network                |  |
|--------------------------|--|
| LAN Port                 | YES  |
| LAN Speed                | 10/100 Based-T Ethernet  |
| Supported Protocols      | DDNS, PPPoE, DHCP, NTP, SNTP, TCP/IP, ICMP, SMTP, FTP, HTTP, RTP, RTSP, RTCP, IPv4, Bonjour, UPnP, DNS, UDP, IGMP, QoS   |
| ONVIF Compatible         | YES (Profile S)  |
| Number of Online Users   | 10   |
| Security                 | (1) Multiple user access levels with password<br>(2) IP address filtering<br>(3) Digest authentication   |
| Remote Access            | (1) Internet Explorer on Windows operating system<br>(2) 16CH Video Viewer on Windows & MAC operating system<br>(3) EagleEyes on iPhone, iPad & Android mobile devices |
| ■ Video                  |  |
| Video Compression        | H.264 (Main Profile) / MJPEG   |
| Resolution               | 1080P to CIF   |
| Frame Rate               | 30/25 fps  |
| Multiple Video Streaming | 4 (H.264, MJPEG)   |
| Image Sensor             | 1/ 2.9" SONY CMOS image sensor   |



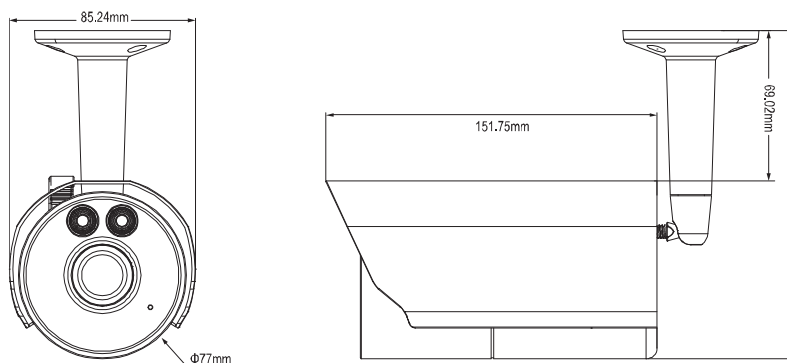
## SPECIFICATIONS (CONTINUED)

| ■ General                         |  |
|-----------------------------------|--|
| Min Illumination                  | 0.1 Lux / F1.4(Wide)~F2.8(Tele), 0 Lux (LED ON)  |
| Electronic Shutter                | 1/10,000 ~ 1/7.5 (Slow shutter)  |
| S/N Ratio                         | More than 48dB (AGC off)   |
| Lens                              | f2.8 ~ 12mm / F1.4 ~ F2.8  |
| Viewing Angle                     | Wide: 97.4° (Horizontal) / 58.1° (Vertical) / 111.7° (Diagonal)<br>Tele: 27.1° (Horizontal) / 15.2° (Vertical) / 31.1°(Diagonal)   |
| IR LED                            | 2 Units  |
| IR Effective Range**              | Default: up to 25 meters ; IR Enhanced Mode: up to 35 meters   |
| IR Shift                          | YES  |
| Smart Light Control               | YES  |
| White Balance                     | ATW  |
| AGC                               | Auto   |
| IRIS Mode                         | AES  |
| WDR                               | YES  |
| MicroSD Card Slot                 | YES  |
| IP Rating                         | IP66   |
| Operating Temperature             | -20°C~40°C   |
| Power Source (±10%)               | 12V / 1A   |
| Current Consumption (±10%)        | 700mA  |
| Power Consumption (±10%)          | 10.5W (PoE) ; 10.5W (PoN) ; 8.4W (DC Adapter)  |
| ■ Others                          |  |
| Mobile Surveillance               | iOS & Android  |
| POE (Power-over-Ethernet)         | YES (IEEE 802.3af)   |
| Event Notification                | FTP / Email / SMS  |
| External Alarm Device Connection  | YES  |
| Digital Pan / Tilt / Zoom         | YES  |
| Motion Detection                  | YES  |
| RTC (real-time clock)             | YES  |
| Minimum Web Browsing Requirements | <ul style="list-style-type: none"> <li>• Intel core i3 or higher, or equivalent AMD</li> <li>• 2GB RAM</li> <li>• AGP graphics card, Direct Draw, 32MB RAM</li> <li>• Windows 7, Vista &amp; XP, DirectX 9.0 or later</li> <li>• Internet Explorer 7.x or later</li> </ul> |

\*The specifications are subject to change without notice

\*\*Using IR enhanced mode and slow shutter speed, the distance can be extended even longer.

## DIMENSIONS (mm)



\*Dimensional tolerance: ± 5mm



# AVM571

## 2MP 10X PTZ

### IP Camera



#### FEATURES

- Zoom lens of f6.0 ~ 60mm with **10x optical zoom, 16x digital zoom and auto focus**, suitable for various monitoring environments
- **WDR** to increase image recognizability in overexposure and dark areas
- **POE (Power-over-Ethernet)** support to eliminate the use of power cables and reduce installation costs
- **ONVIF** standard supported to simplify system integration
- **External alarm I/O device** connection

#### SPECIFICATIONS

| ■ Network                |  |
|--------------------------|--|
| LAN Port                 | YES  |
| LAN Speed                | 10/100 Based-T Ethernet  |
| Supported Protocols      | DDNS, PPPoE, DHCP, NTP, SNTP, TCP/IP, ICMP, SMTP, FTP, HTTP, RTP, RTSP, RTCP, IPv4, Bonjour, UPnP, DNS, UDP, IGMP, QoS   |
| ONVIF Compatible         | YES (Profile S)  |
| Number of Online Users   | 10   |
| Security                 | (1) Multiple user access levels with password<br>(2) IP address filtering<br>(3) Digest authentication   |
| Remote Access            | (1) Internet Explorer on Windows operating system<br>(2) 16CH Video Viewer on Windows & MAC operating system<br>(3) EagleEyes on iPhone, iPad & Android mobile devices |
| ■ Video                  |  |
| Network Compression      | H.264 (Main Profile) / MJPEG   |
| Video Resolution         | 1080P to CIF   |
| Frame Rate               | 30 fps   |
| Multiple Video Streaming | 4 (H.264, MJPEG)   |
| ■ General                |  |
| Image Sensor             | 1/2.9" Sony CMOS image sensor  |
| Min Illumination         | 0.1 Lux / F2.0   |
| Shutter Speed            | 1 / 60 (1/50) to 1 / 100,000 sec.  |





## SPECIFICATIONS (Continued)

| ■ General                         |  |
|-----------------------------------|--|
| S/N Ratio                         | More than 48dB (AGC off)   |
| Lens                              | f6.0 ~ 60.0mm / F2.0 (Wide) ~ F2.8 (Tele)  |
| Viewing Angle                     | 1X: 47.3° / 10X: 5.3° (Horizontal) /<br>1X: 27.5° / 10X: 3.0° (Vertical) /<br>1X: 53.5° / 10X: 6.1°(Diagonal)  |
| White Balance                     | Auto / Indoor 1 / Indoor 2 / Sun / Cloudy<br>* Indoor1 = 9000K; Indoor2 = 3000K; Sun = 5500K; Cloudy = 7000K   |
| AGC                               | YES  |
| IRIS Mode                         | YES  |
| Sharpness                         | YES  |
| WDR                               | YES  |
| POE                               | YES (IEEE 802.3af)   |
| External Alarm I/O                | YES (1 input / 1 output)   |
| IP Rating (weather-proof)         | IP67   |
| Operating Temperature             | -20°C~40°C   |
| Power Source (±10%)               | DC12V, 1A  |
| Current consumption (±10%)        | 750mA  |
| Power Consumption (±10%)          | 11.25W (PoE) ; 11.25W (PoN) ; 9W (DC Adapter)  |
| Dimensions (mm)                   | 206(H) x 147(D) (without bracket)  |
| ■ PTZ Mechanism                   |  |
| Pan Range                         | 360°   |
| Max. Pan Speed                    | 120°/s   |
| Tilt Range                        | 90°  |
| Max. Tilt Speed                   | 90°/s  |
| Zoom Ratio                        | 10X Optical Zoom   |
| Max. Zoom Speed                   | Approx. 3s (Tele ~ Wide)   |
| Preset Points                     | Up to 16 preset points   |
| Sequence Group                    | 1. Up to four groups can be set<br>2. One group can include up to 16 preset points   |
| ■ Others                          |  |
| Mobile Surveillance               | iOS & Android  |
| Event Notification                | FTP / Email / SMS  |
| Digital Pan / Tilt / Zoom         | YES  |
| Reset Default                     | YES  |
| Motion Detection                  | YES  |
| RTC (real-time clock)             | YES  |
| Minimum Web Browsing Requirements | <ul style="list-style-type: none"> <li>• Intel core i3 or higher, or equivalent AMD</li> <li>• 2GB RAM</li> <li>• AGP graphics card, Direct Draw, 32MB RAM</li> <li>• Windows 7, Windows Vista &amp; Windows XP, DirectX 9.0 or later</li> <li>• Internet Explorer 7.x or later</li> </ul> |

\*The specifications are subject to change without notice.

\*\* Dimensional tolerance: ± 5mm



# AVT592

## HD CCTV 1080P

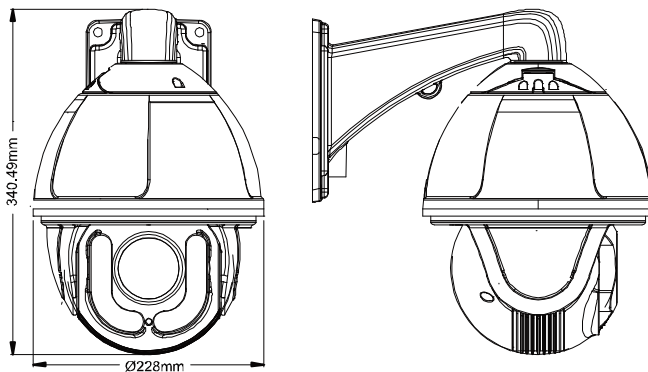
### 20X IR Speed Dome Camera



#### ● FEATURES

- (1) 1/2.8" CMOS Sensor with 1080P video output
- (2) Zoom lens of f4.7 ~ 94mm with 20x optical zoom and auto focus, suitable for various monitoring environments
- (3) PTZ control for seamless monitoring
  - Capable of 360° pan rotation continuously, allowing quick and smooth action of the camera lens
  - Auto Tracking to follow moving objects
  - Up to 256 preset points & four sequence groups programmable for multiple points monitoring, and auto pan
- (4) External alarm I/O device connection
- (5) WDR to increase image recognizability in overexposure and dark areas
- (6) IR effective range up to 150 meters for night surveillance
- (7) IP66 for outdoor application
- (8) Camera parameters adjustable when used with AVTECH HD CCTV DVR

#### ● DIMENSIONS\*



\*Dimensional Tolerance: ± 5mm

#### ● SPECIFICATIONS\*

| ■ General             |  | ■ General                |  |
|-----------------------|--|--------------------------|--|
| Pick-up Element       | 1/2.8" SONY CMOS image sensor                      | External alarm I/O       | YES (1 input / 1 output)   |
| Number of Pixels      | 1936(H) × 1096(V)                                  | RS-485                   | YES  |
| Video Frame Rate      | 1080P@30fps / 1080P@25fps                          | IP Rating                | IP66   |
| Min. Illumination     | 0.1 Lux / F1.6(Wide)~F3.5(Tele), 0 Lux (IR LED ON) | Operating Temperature    | -20°C ~ 50°C   |
| S/N Ratio             | More than 48dB (AGC OFF)                           | Power Source (±10%)      | AC24V / 1.5A; DC19V / 2.1A   |
| Shutter Speed         | 1 / 60 (1/50) to 1 / 100,000 sec.                  | Power Consumption (±10%) | 12W (IR OFF); 28W (IR ON)  |
| Lens                  | f4.7 ~ 94mm / F1.6 (Wide) ~ 3.5(Tele)              | ■ PTZ Mechanism          |  |
| Lens Angle            | 1X   | Pan Range                | 360° endless   |
|                       | 20X  | Max. Pan Speed           | 180°/s   |
| IR LED                | 10 units   | Tilt Range               | -3° ~ 90°  |
| IR Effective Distance | Up to 150 meters                                   | Max. Tilt Speed          | 100°/s   |
| IR Shift              | YES  | Zoom Ratio               | 20X Optical Zoom   |
| IRIS Mode             | YES  | Max. Zoom Speed          | Approx. 3s (Tele ~ Wide)   |
| White Balance         | Auto / 2500K / 3200K / 4200K / 5800K / 9500K       | Preset Points            | Up to 256 preset points  |
| AGC                   | YES  | Sequence Group           | 1. Up to four groups can be set<br>2. One group can include up to 16 preset points |
| Sharpness             | YES  |                          |  |
| WDR                   | YES (120dB)  |                          |  |

\* The specifications are subject to change without notice.